

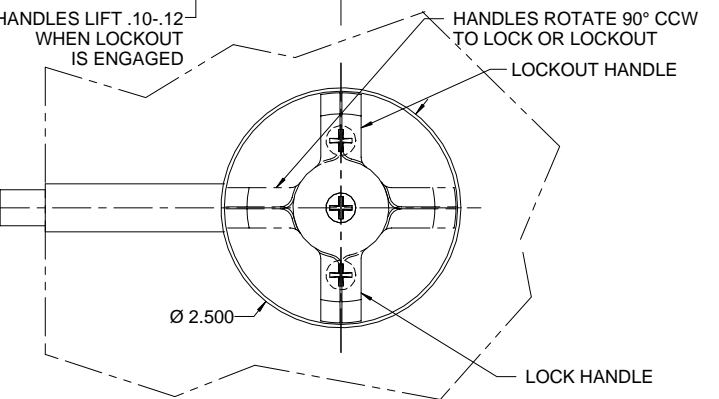
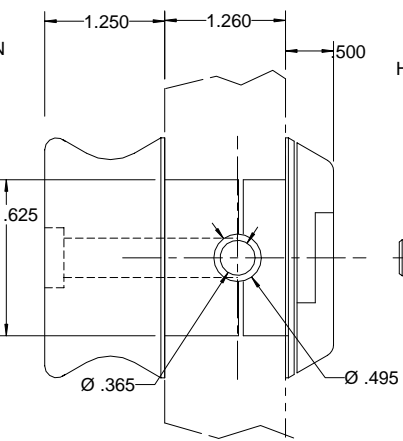
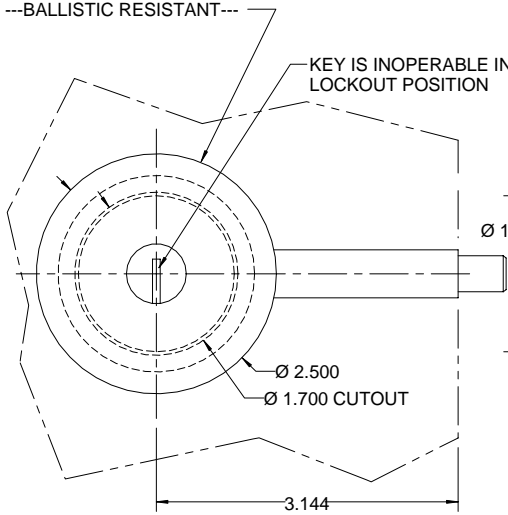
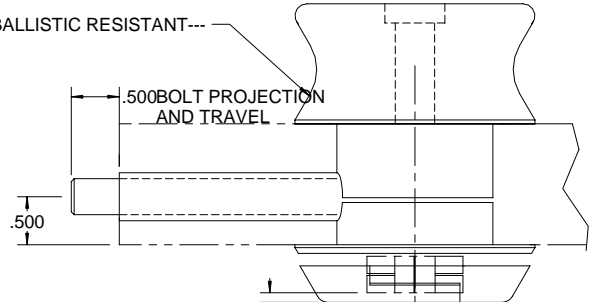
INNOVATIVE CUSTOM DESIGNED HARDWARE IS OUR SPECIALTY

REV. 7/07

STATUS	KEY	LOCK HANDLE	LOCKOUT HANDLE	BOLT	INDICATOR
UNLOCKED	ROTATE 90° CW TO LOCK	UNLOCKED (VERTICAL)	UNLOCKED (VERTICAL)	RETRACTED	RED
LOCKED	ROTATE 90° CCW TO UNLOCK	LOCKED (HORIZONTAL)	UNLOCKED (VERTICAL)	EXTENDED	RED
LOCKOUT	NON-FUNCTIONAL ROTATION	LOCKED (HORIZONTAL)	LOCKED (HORIZONTAL)	EXTENDED	GREEN



---BALLISTIC RESISTANT---



-(X)4 DEAD BOLT ASSY (SHOWN)
-(X)5 DEAD BOLT ASSY (OPP)

MATERIAL:
 LOCK BODY: CRES
 LOCK ESCUTCHEON: CRES
 HANDLE ESCUTCHEON: ALUM
 HANDLE: ALUM
 BOLT GUIDE: ALUM
 BOLT: CRES

FINISH:
 LOCK BODY: ELECTRO-POLISH, PASSIVATE
 LOCK ESCUTCHEON: BRUSH SATIN FINISH, PASSIVATE
 HANDLE ESCUTCHEON: BEAD BLAST, CLEAR COAT
 HANDLE: BEAD BLAST, HARD ANODIZE
 BOLT GUIDE: ANODIZE
 BOLT: EMRALON COAT

PATENTED

ALL INFORMATION ON THIS DRAWING IS PROPRIETARY TO HARPER ENGINEERING COMPANY.
 All design, manufacturing, reproduction, use and sale rights regarding the same are expressly reserved except that this drawing may be reproduced by the government of the United States of America only for distribution to government activities and/or personnel for purposes of maintenance, supply identification, stock listing and other related uses. All patent rights hereto are expressly reserved by
Harper Engineering Co.

UNLESS OTHERWISE SPECIFIED
 ALL DIM ARE REFERENCE
 DIMENSIONS ARE IN INCHES ± .010
 ANGULAR DIMENSIONS ARE IN DEGREES ± 1°
 BREAK ALL CORNERS
 INTERNAL & EXTERNAL RADII .030 MAX
 MAXIMUM DRAFT 2°
 Code Ident No. 34941

Harper Engineering Co.
 200 S. Tobin St. Renton, Washington 98055
 TITLE **H3-1832 DEAD BOLT**