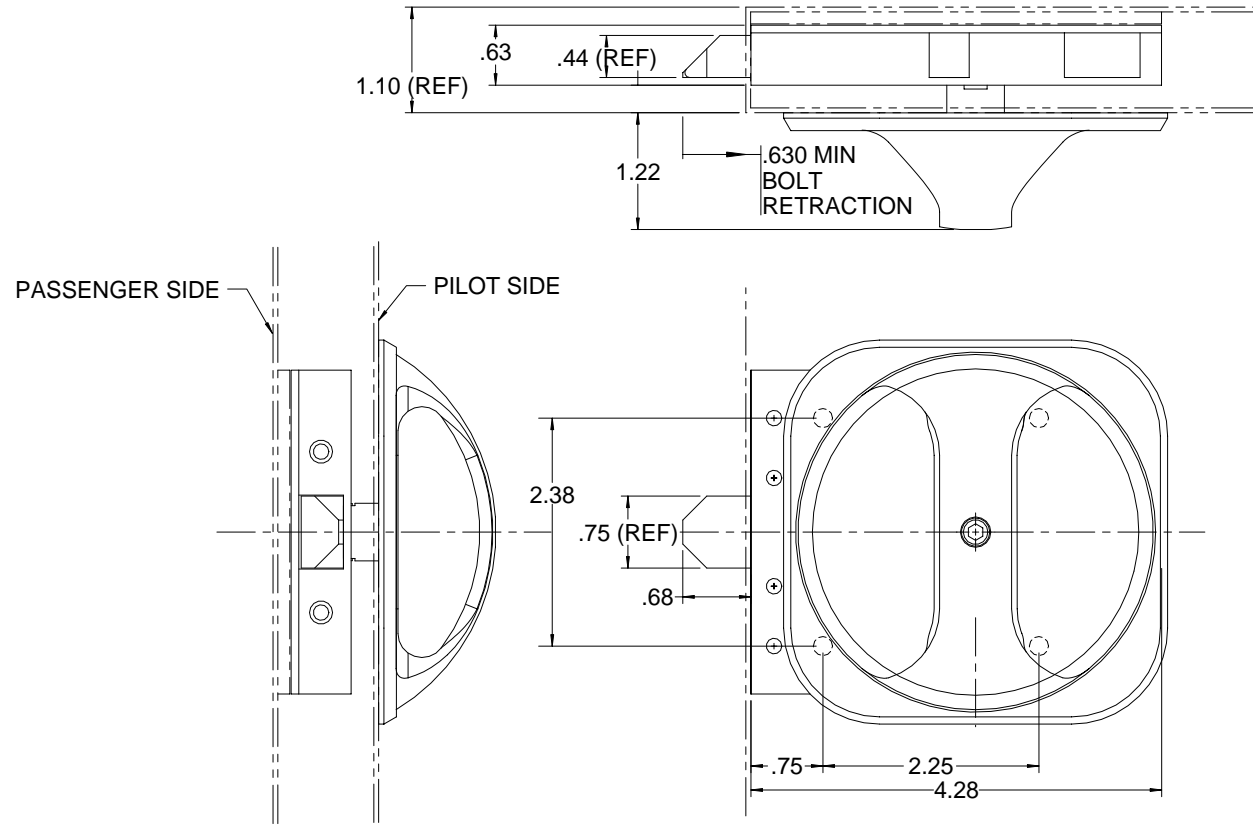


**OPTIONAL  
PASSENGER SIDE  
HANDLES  
(H3-1800)**



**H3-1801 LATCH ASSY**

**PATENT PENDING**

ALL INFORMATION ON THIS DRAWING IS PROPRIETARY TO HARPER ENGINEERING COMPANY.

All design, manufacturing, reproduction, use and sale rights regarding the same are expressly reserved except that this drawing may be reproduced by: the government of the United States of America only for distribution to government activities and/or personnel for purposes of maintenance, supply identification, stock listing and other related uses. All patent rights hereto are expressly reserved by

**Harper Engineering Co.**

**UNLESS OTHERWISE SPECIFIED**

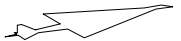
ALL DIM ARE REFERENCE

DIMENSIONS ARE IN INCHES ± .010  
ANGULAR DIMENSIONS ARE IN DEGREES ± 1°  
BREAK ALL CORNERS  
INTERNAL & EXTERNAL RADII .030 MAX  
MAXIMUM DRAFT 2°

Code Ident No.

34941

**Harper Engineering Co.**



200 S. Tobin St. Renton, Washington 98055

TITLE

**H3-1801 WIDE BODY  
FLIGHTDECK DOOR LATCH ASSY**