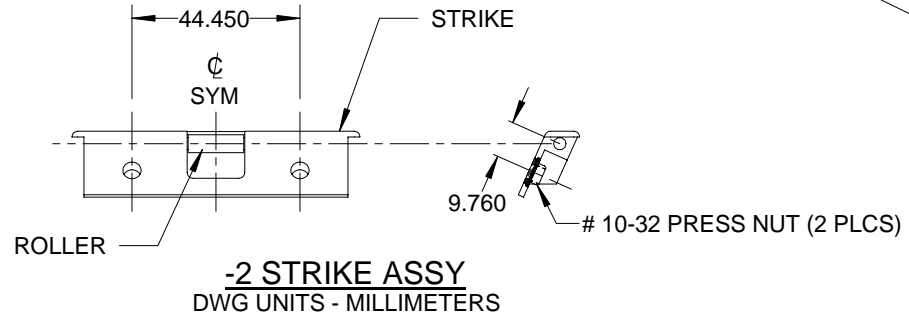


-5(X) LATCH ASSY
-7(X) LATCH ASSY
 DWG UNITS - MILLIMETERS

- MATERIAL:**
 BEZEL: ULTEM
 HANDLE: ALUMINUM
 BACKING PLATE: ULTEM
 FRAME: -5(X)=ALUMINUM
 -7(X)=ULTEM
 HOOK: ALUMINUM
 STRIKE: ALUMINUM
 ROLLER: NYLON
- FINISH:**
 BEZEL: N/A
 HANDLE: POWDER COAT
 BACKING PLATE: N/A
 FRAME: -5(X)=POWDER COAT
 -7(X)=N/A
 HOOK: HARD ANODIZE
 STRIKE: ANODIZE
 ROLLER: N/A

GENERAL:
 ULTEM & POWDER COAT
 COLORS ARE INTEGRAL

WEIGHT:
 -5(X) LATCH ASSY - .325 LBS
 -2 STRIKE ASSY - .040 LBS



-2 STRIKE ASSY
 DWG UNITS - MILLIMETERS

ALL INFORMATION ON THIS DRAWING IS PROPRIETARY TO HARPER ENGINEERING COMPANY.

All design, manufacturing, reproduction, use and sale rights regarding the same are expressly reserved except that this drawing may be reproduced by the government of the United States of America only for distribution to government activities and/or personnel for purposes of maintenance, supply identification, stock listing and other related uses. All patent rights hereto are expressly reserved by

Harper Engineering Co.

UNLESS OTHERWISE SPECIFIED

ALL DIM ARE REFERENCE

DIMENSIONS ARE IN INCHES ± .010
 ANGULAR DIMENSIONS ARE IN DEGREES ± 1°
 BREAK ALL CORNERS
 INTERNAL & EXTERNAL RADII .030 MAX
 MAXIMUM DRAFT 2°

Code Ident No.

34941

Harper Engineering Co.

200 S. Tobin St. Renton, Washington 98055

TITLE H3-1750 (ROLLING BLOCK)
 STOWAGE BIN LATCH

CATALOG PAGE

L1h