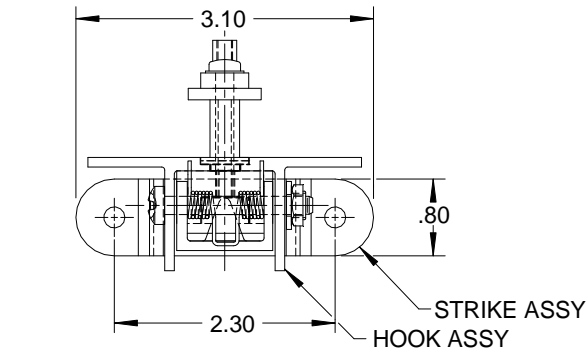
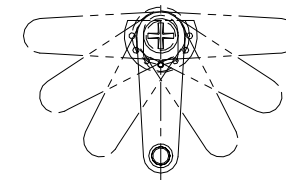


INNOVATIVE CUSTOM DESIGNED HARDWARE IS OUR SPECIALTY

REV. 7/07

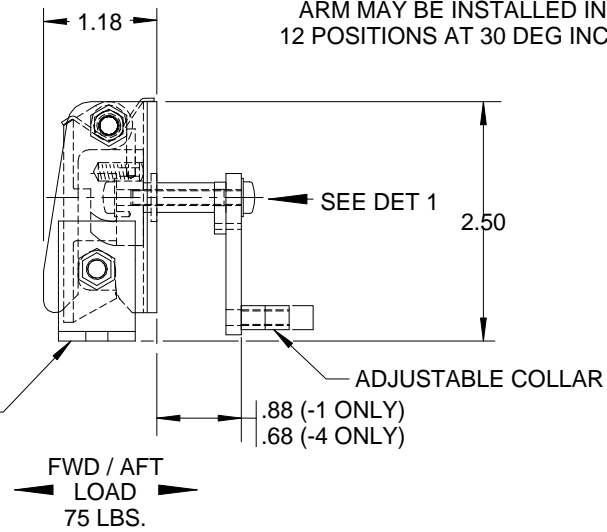
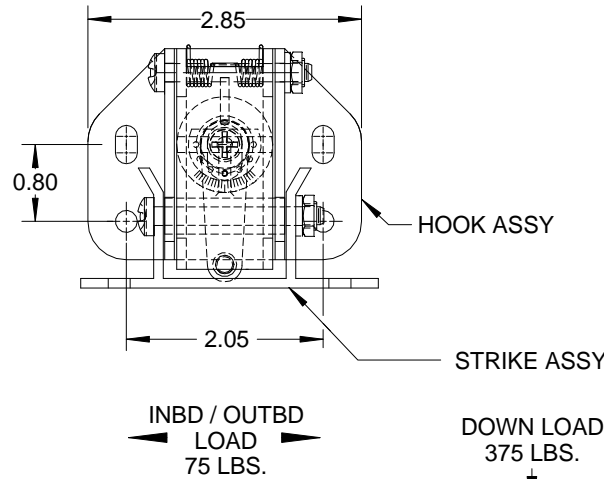


ROTATE INDEX PLATE 180 DEG &
POSITION ARM UPWARD FOR 5
ADDITIONAL POSITIONS



DETAIL 1

ARM MAY BE INSTALLED IN ONE OF
12 POSITIONS AT 30 DEG INCREMENTS



-1 LATCH ASSEMBLY
-4 LATCH ASSEMBLY

- MATERIAL:**
HINGE: 6061T65 ALUM; OPT. 2024-T3/T4
(NYLON ROLLER, DRIVER & COLLAR)
(CRES SHAFT)
- FINISH:**
HINGE: ANODIZE
- GENERAL:** DRY LUBE (EMRALON)
- WEIGHT:** .35 LBS MAX

ALL INFORMATION ON THIS DRAWING
IS PROPRIETARY TO
HARPER ENGINEERING COMPANY.

All design, manufacturing, reproduction,
use and sale rights regarding the same
are expressly reserved except that
this drawing may be reproduced by:
the government of the United States
of America only for distribution to
government activities and/or personnel
for purposes of maintenance, supply
identification, stock listing and other
related uses. All patent rights hereto
are expressly reserved by

Harper Engineering Co.

UNLESS OTHERWISE SPECIFIED

ALL DIM ARE REFERENCE

DIMENSIONS ARE IN INCHES ± .010
ANGULAR DIMENSIONS ARE IN DEGREES ± 1°
BREAK ALL CORNERS
INTERNAL & EXTERNAL RADII .030 MAX
MAXIMUM DRAFT 2°

Code Ident No.

34941

Harper Engineering Co.

200 S. Tobin St. Renton, Washington 98055

TITLE

H3-1668

CEILING PANEL LATCH ASSY -
EASY "CREDIT CARD" RELEASE