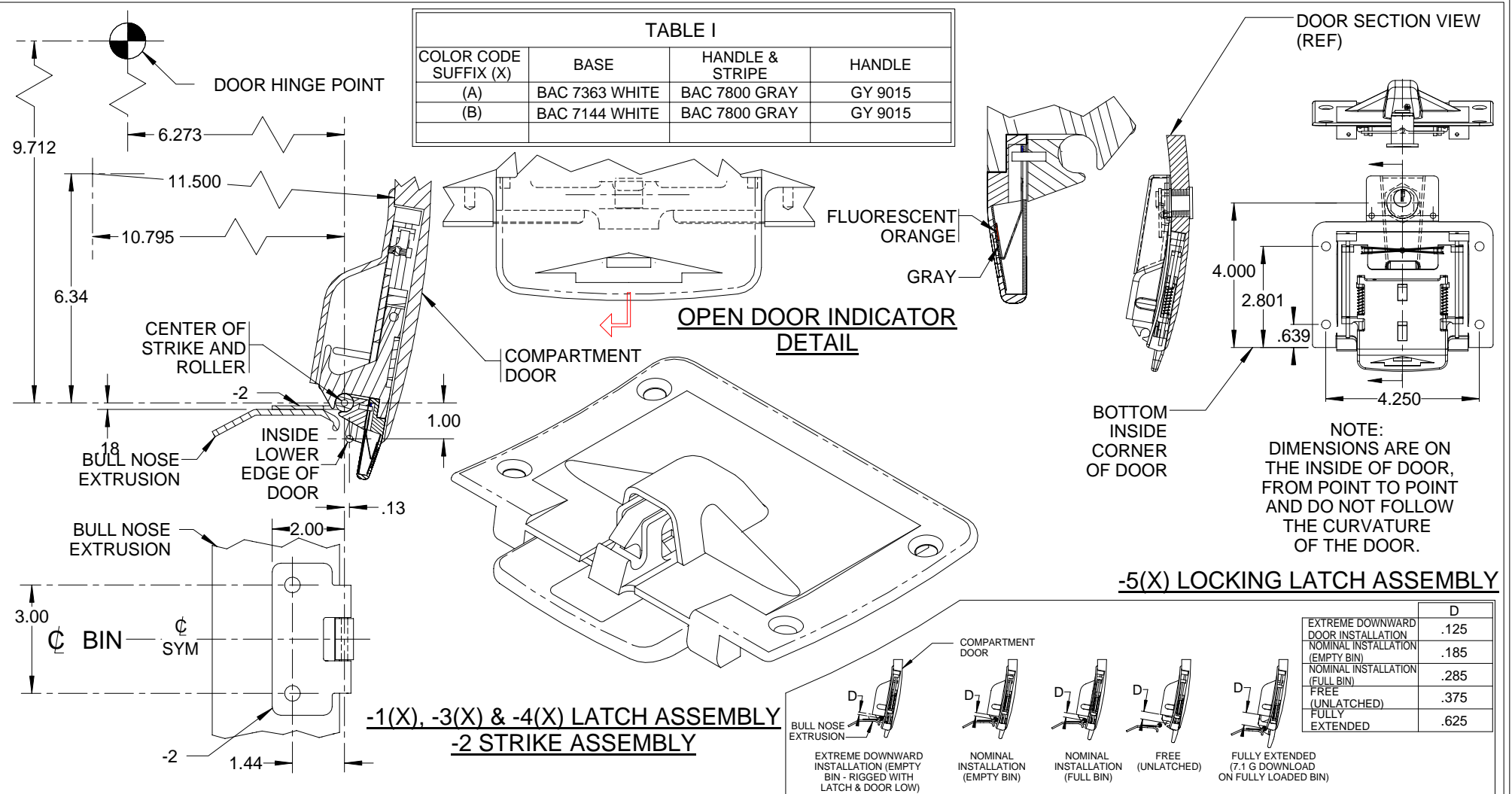
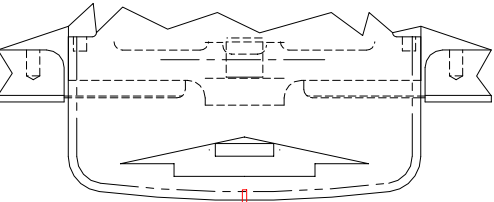


INNOVATIVE CUSTOM DESIGNED HARDWARE IS OUR SPECIALTY

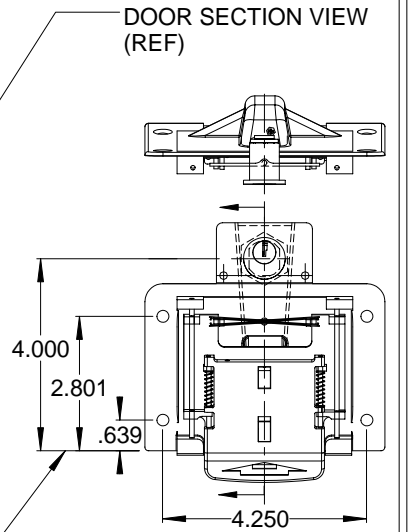
REV. 7/07



COLOR CODE SUFFIX (X)	BASE	HANDLE & STRIPE	HANDLE
(A)	BAC 7363 WHITE	BAC 7800 GRAY	GY 9015
(B)	BAC 7144 WHITE	BAC 7800 GRAY	GY 9015



OPEN DOOR INDICATOR DETAIL



NOTE:
DIMENSIONS ARE ON THE INSIDE OF DOOR, FROM POINT TO POINT AND DO NOT FOLLOW THE CURVATURE OF THE DOOR.

-5(X) LOCKING LATCH ASSEMBLY

**-1(X), -3(X) & -4(X) LATCH ASSEMBLY
-2 STRIKE ASSEMBLY**

	D
EXTREME DOWNWARD DOOR INSTALLATION	.125
NOMINAL INSTALLATION (EMPTY BIN)	.185
NOMINAL INSTALLATION (FULL BIN)	.285
FREE (UNLATCHED)	.375
FULLY EXTENDED	.625

MATERIAL:
ALUM: 2024-T4
PLACTIC: ULTEM 9075, ACETAL 6/6 NYLON, CLEAR MYLAR

FINISH:
ALUM: ANODIZE, PAINT
PLACTIC: N/A
CRES: PASSIVATE

GENERAL:
SEE TABLE I FOR COLOR SUFFIX;
P/N EXAMPLE: H3-1650-1A

ALL INFORMATION ON THIS DRAWING IS PROPRIETARY TO HARPER ENGINEERING COMPANY.

All design, manufacturing, reproduction, use and sale rights regarding the same are expressly reserved except that this drawing may be reproduced by: the government of the United States of America only for distribution to government activities and/or personnel for purposes of maintenance, supply identification, stock listing and other related uses. All patent rights hereto are expressly reserved by

Harper Engineering Co.

UNLESS OTHERWISE SPECIFIED

ALL DIM ARE REFERENCE

DIMENSIONS ARE IN INCHES ± .010
ANGULAR DIMENSIONS ARE IN DEGREES ± 1°
BREAK ALL CORNERS
INTERNAL & EXTERNAL RADII .030 MAX
MAXIMUM DRAFT 2°

Code Ident No. 14941

Harper Engineering Co.

200 S. Tobin St. Renton, Washington 98055

TITLE **H3-1636 LIFT LATCH - STOWAGE COMPARTMENT**