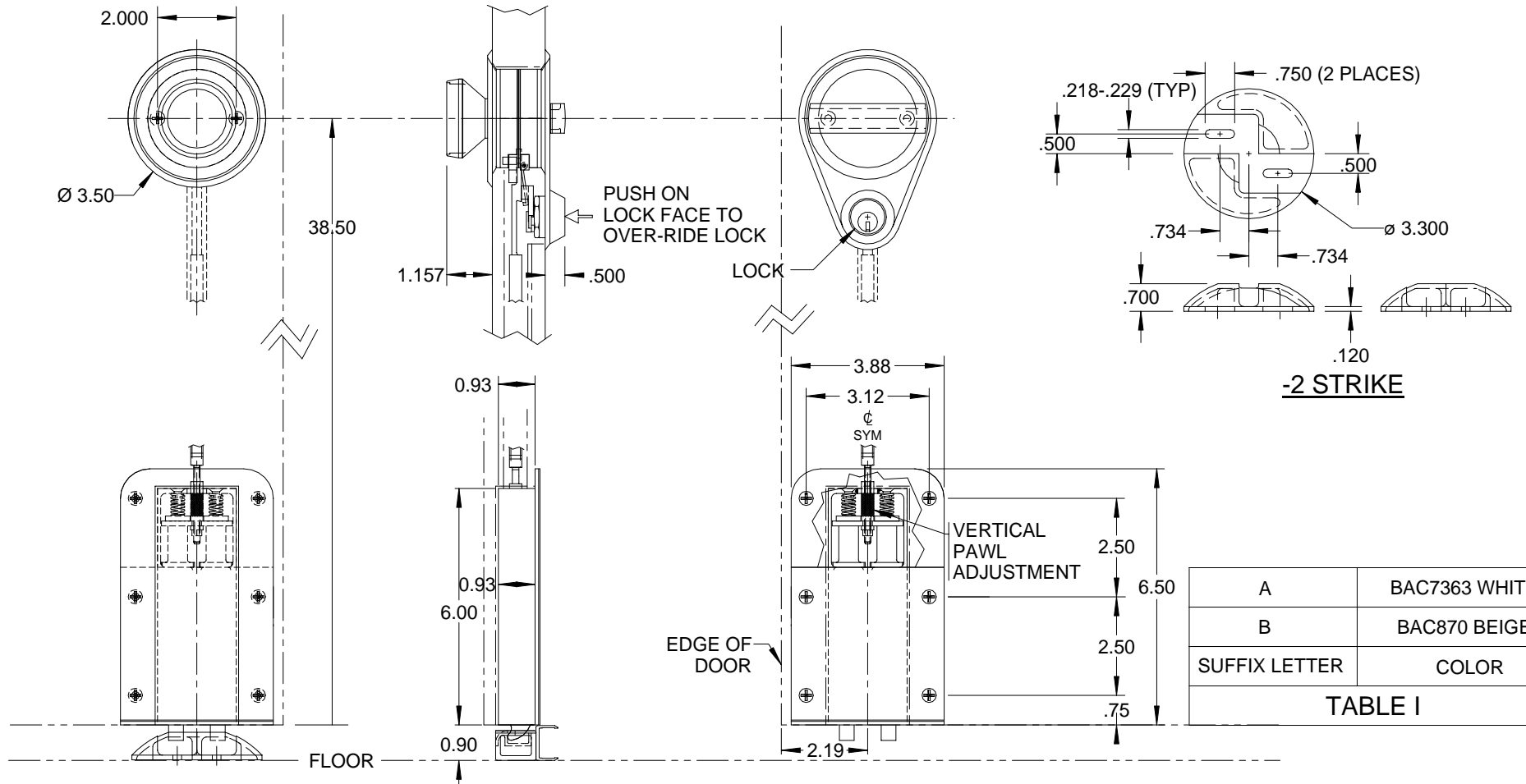


**INNOVATIVE CUSTOM DESIGNED HARDWARE IS OUR SPECIALTY**

REV. 7/07



**-23(X) LATCH ASSY (1.35"-1.45" THICK DOOR)**  
**-31(X) LATCH ASSY (1.75" THICK DOOR)**

A	BAC7363 WHITE
B	BAC870 BEIGE
SUFFIX LETTER	COLOR
TABLE I	

**MATERIAL:**  
 ALUM: 7075-T6  
 PLASTIC: 6/6 NYLON  
 CRES: 300 SERIES

**FINISH:**  
 ALUM: ANODIZE,  
 BRUSH FINISH (OUTER VISIBLE SURFACES)  
 PAINT (INNER VISIBLE SURFACES)  
 PLASTIC: N/A  
 CRES: PASSIVATE

**GENERAL:** SEE TABLE I FOR COLOR SUFFIX;  
 P/N EXAMPLE: H3-1606-23A IS WHITE

ALL INFORMATION ON THIS DRAWING IS PROPRIETARY TO HARPER ENGINEERING COMPANY.

All design, manufacturing, reproduction, use and sale rights regarding the same are expressly reserved except that this drawing may be reproduced by the government of the United States of America only for distribution to government activities and/or personnel for purposes of maintenance, supply identification, stock listing and other related uses. All patent rights hereto are expressly reserved by

*Harper Engineering Co.*

**UNLESS OTHERWISE SPECIFIED**

ALL DIM ARE REFERENCE

DIMENSIONS ARE IN INCHES ± .010  
 ANGULAR DIMENSIONS ARE IN DEGREES ± 1°  
 BREAK ALL CORNERS  
 INTERNAL & EXTERNAL RADII .030 MAX  
 MAXIMUM DRAFT 2°

Code Ident No.

34941

**Harper Engineering Co.**



200 S. Tobin St. Renton, Washington 98055

TITLE H3-1606 LATCH ASSY -  
 CREW REST