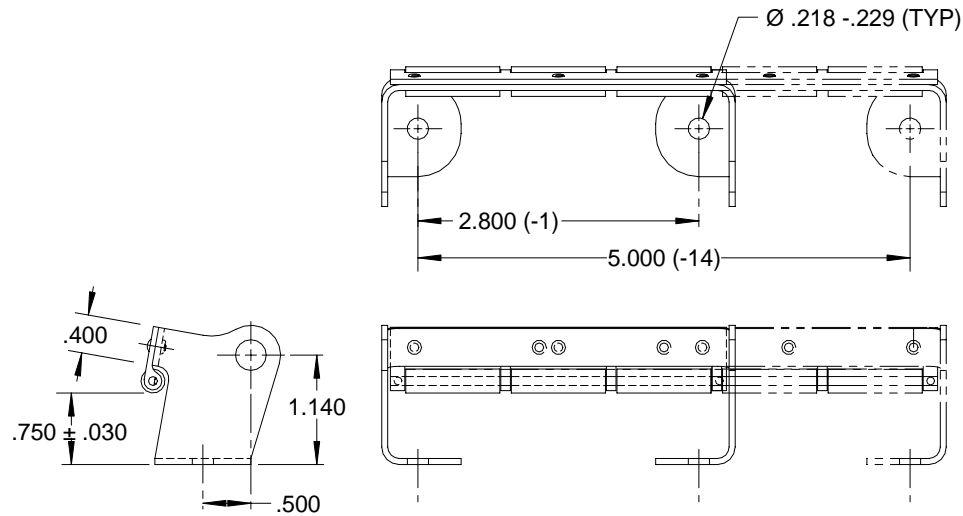


**INNOVATIVE CUSTOM DESIGNED HARDWARE IS OUR SPECIALTY**

REV. 7/07



**-1 ASSY**  
**-14 ASSY**

MATERIAL:  
BRACKET: 6061-T6 ALUM  
PIN: MS20253 PIN STOCK  
ROLLER: ACETAL  
FINISH:  
BRACKET: ANODIZE, PRIMER, PAINT

ALL INFORMATION ON THIS DRAWING IS PROPRIETARY TO HARPER ENGINEERING COMPANY.

All design, manufacturing, reproduction, use and sale rights regarding the same are expressly reserved except that this drawing may be reproduced by: the government of the United States of America only for distribution to government activities and/or personnel for purposes of maintenance, supply identification, stock listing and other related uses. All patent rights hereto are expressly reserved by

*Harper Engineering Co.*

**UNLESS OTHERWISE SPECIFIED**

ALL DIM ARE REFERENCE

DIMENSIONS ARE IN INCHES  $\pm .010$   
ANGULAR DIMENSIONS ARE IN DEGREES  $\pm 1^\circ$   
BREAK ALL CORNERS  
INTERNAL & EXTERNAL RADII  $.030$  MAX  
MAXIMUM DRAFT  $2^\circ$

Code Ident No. 34941

**Harper Engineering Co.**



200 S. Tobin St. Renton, Washington 98055

TITLE **H3-1587**  
**STRIKE**