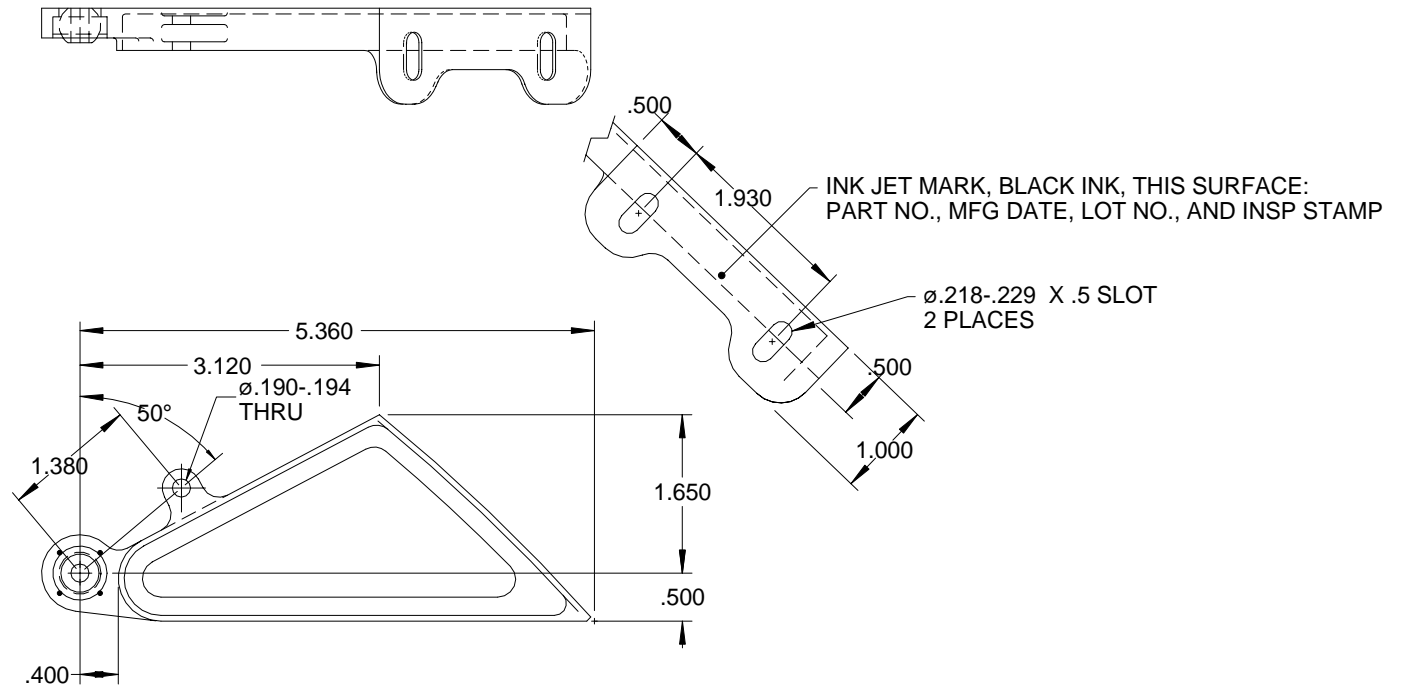


INNOVATIVE CUSTOM DESIGNED HARDWARE IS OUR SPECIALTY

REV. 7/07



-1 ASSY (AS SHOWN)
-2 ASSY (OPPOSITE)

COLOR TABLE			
SUFFIX	COLOR STANDARD	COLOR (REF)	BOEING SUFFIX (REF)
A	BAC7663 (7362 OPT)	WHITE	H
B	BAC7801	GRAY	W
C	BAC870	BEIGE	Y
D	BAC80070	CLAY BEIGE	D
E	BAC70595	WHITE	AL

MATERIAL:
 BRACKET: 2024-T3
 BEARING: CRES

FINISH:
 BRACKET: ALODINE, PRIMER & PAINT

GENERAL: Color Suffix Per "Color Table" Above
 Example P/N: H3-1576-1C = BAC870 Beige Hinge.

ALL INFORMATION ON THIS DRAWING IS PROPRIETARY TO HARPER ENGINEERING COMPANY.

All design, manufacturing, reproduction, use and sale rights regarding the same are expressly reserved except that this drawing may be reproduced by: the government of the United States of America only for distribution to government activities and/or personnel for purposes of maintenance, supply identification, stock listing and other related uses. All patent rights hereto are expressly reserved by

Harper Engineering Co.

UNLESS OTHERWISE SPECIFIED

ALL DIM ARE REFERENCE

DIMENSIONS ARE IN INCHES ± .010
 ANGULAR DIMENSIONS ARE IN DEGREES ± 1°
 BREAK ALL CORNERS
 INTERNAL & EXTERNAL RADII .030 MAX
 MAXIMUM DRAFT 2°

Code Ident No. 34941

Harper Engineering Co.

200 S. Tobin St. Renton, Washington 98055

TITLE H3-1576 HINGE ASSY