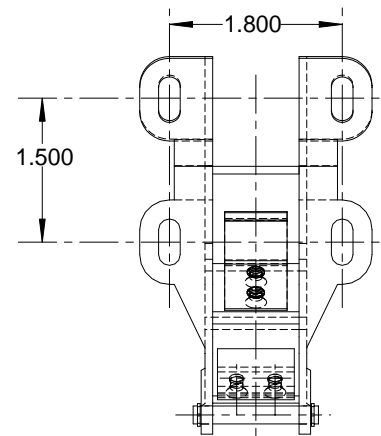


⊕
SYM

-11 HINGE ASSEMBLY



⊕
SYM

-12 HINGE ASSEMBLY

MATERIAL:

BRACKET: ALUM A380
PIN: CRES
SPRING: 301 F/H

FINISH:

BRACKET: ANODIZE, BMS 10-11 PRIMER & BMS 10-11 ENAMEL
PIN: EMRALON
SPRING: OXIDE BLAST & DRY LUBE (ENRALON)

WEIGHT:

-11 HINGE ASSY: .15 LBS
-12 HINGE ASSY: .12 LBS

ALL INFORMATION ON THIS DRAWING IS PROPRIETARY TO HARPER ENGINEERING COMPANY.

All design, manufacturing, reproduction, use and sale rights regarding the same are expressly reserved except that this drawing may be reproduced by the government of the United States of America only for distribution to government activities and/or personnel for purposes of maintenance, supply identification, stock listing and other related uses. All patent rights hereto are expressly reserved by

Harper Engineering Co.

UNLESS OTHERWISE SPECIFIED

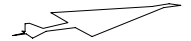
ALL DIM ARE REFERENCE

DIMENSIONS ARE IN INCHES ± .010
ANGULAR DIMENSIONS ARE IN DEGREES ± 1°
BREAK ALL CORNERS
INTERNAL & EXTERNAL RADII .030 MAX
MAXIMUM DRAFT 2°

Code Ident No.

34941

Harper Engineering Co.



200 S. Tobin St. Renton, Washington 98055

TITLE

**H3-1561 HINGE ASSY -
OUTBOARD CEILING PANEL**