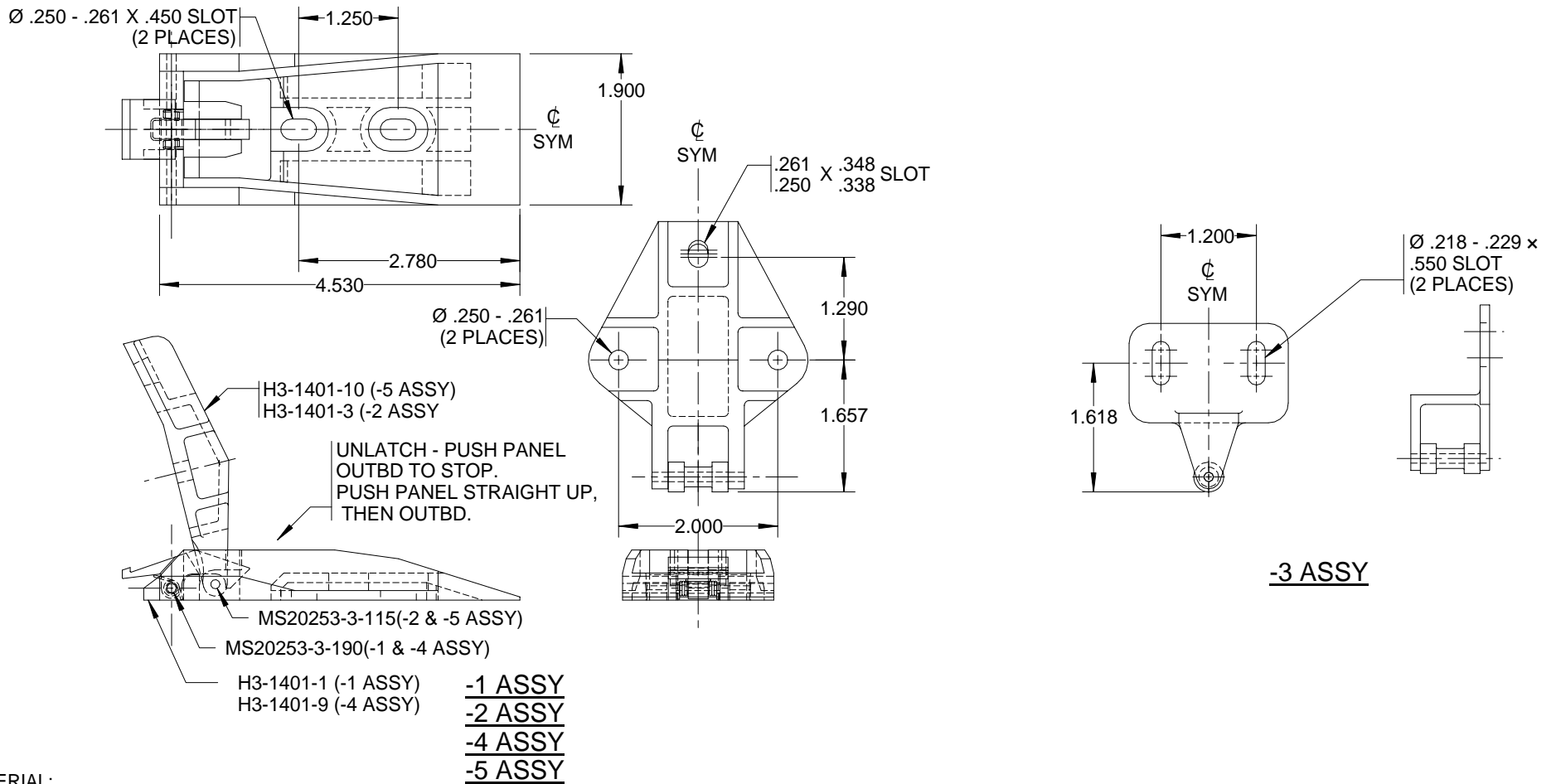


INNOVATIVE CUSTOM DESIGNED HARDWARE IS OUR SPECIALTY

REV. 7/07



MATERIAL:

-1 & -4 LATCH ASSY: ULTEM 2300
 -2 & -5 ROLLER ASSY: ULTEM 2300 (ROLLER: NYLON)
 -3 ROLLER ASSY: 2024-T3/T4 (ROLLER: NYLON)

FINISH:

-3 ROLLER ASSY: ANODIZE

GENERAL:

WEIGHT: -1 & -4 LATCH ASSY: .15 LBS MAX
 -2 & -5 ROLLER ASSY: .1 LBS MAX
 -3 ROLLER ASSY: .07 MAX

ALL INFORMATION ON THIS DRAWING IS PROPRIETARY TO HARPER ENGINEERING COMPANY.

All design, manufacturing, reproduction, use and sale rights regarding the same are expressly reserved except that this drawing may be reproduced by the government of the United States of America only for distribution to government activities and/or personnel for purposes of maintenance, supply identification, stock listing and other related uses. All patent rights hereto are expressly reserved by

Harper Engineering Co.

UNLESS OTHERWISE SPECIFIED

ALL DIM ARE REFERENCE

DIMENSIONS ARE IN INCHES ± .010
 ANGULAR DIMENSIONS ARE IN DEGREES ± 1°
 BREAK ALL CORNERS
 INTERNAL & EXTERNAL RADII .030 MAX
 MAXIMUM DRAFT 2°

Code Ident No.

34941

Harper Engineering Co.

200 S. Tobin St. Renton, Washington 98055

TITLE

H3-1400 LATCH & ROLLER ASSY - CEILING PANEL