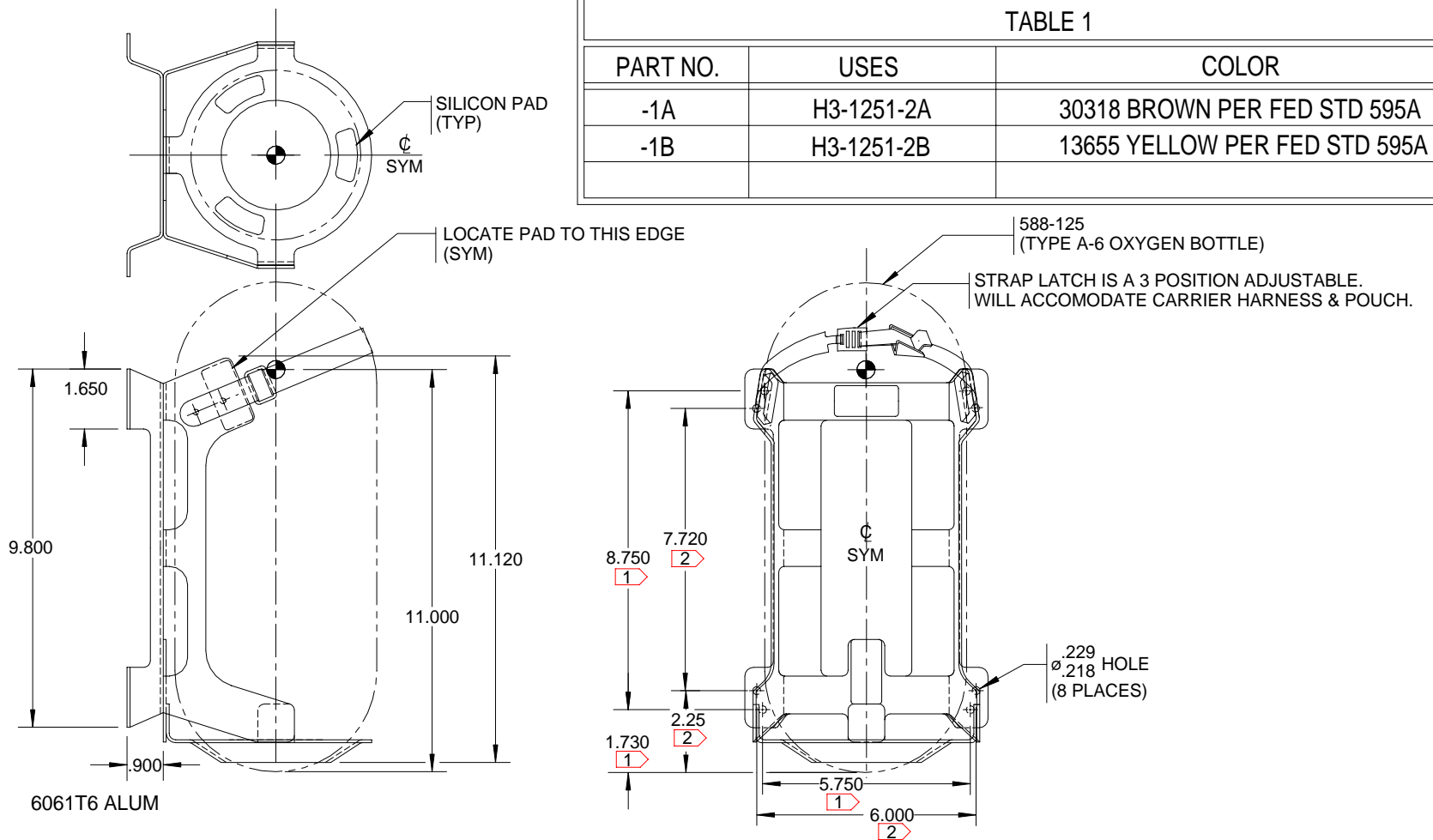


**INNOVATIVE CUSTOM DESIGNED HARDWARE IS OUR SPECIALTY**

REV. 7/07

TABLE 1		
PART NO.	USES	COLOR
-1A	H3-1251-2A	30318 BROWN PER FED STD 595A
-1B	H3-1251-2B	13655 YELLOW PER FED STD 595A



MATERIAL:  
 BRACKET: 6061T6 ALUM  
 STRAP: CRES

FINISH: BRACKET: ALODINE, PRIMER & PAINT  
 -1(X) ASSY  
 (SEE TABLE 1 FOR COLOR).

GENERAL:  
 1 8.75 x 5.75 Hole Pattern Matches Mounting Hole Pattern Of AF DWG 44B24627.  
 2 7.72 x 6.00 Hole Pattern matches Mounting Hole Pattern Of FSN 1660-180-5532.  
 Bracket Shall Restrain Bottle Assembly So As To Prevent Separation Of Bottle Assy From Bracket Assy When Subjected To A Load of 16 G's In Any Direction.  
 CENTER OF GRAVITY FOR OXYGEN BOTTLE ASSY.

WEIGHT: Maximum Bracket Assy Weight Is 1.0 LBS.  
 The Total Weight Of The Bottle Assy (Including Full Oxygen Bottle, Regulator, Mask Assy, And Mask Restrainer Pouch) Is 9.5 LBS.

ALL INFORMATION ON THIS DRAWING IS PROPRIETARY TO HARPER ENGINEERING COMPANY.  
 All design, manufacturing, reproduction, use and sale rights regarding the same are expressly reserved except that this drawing may be reproduced by: the government of the United States of America only for distribution to government activities and/or personnel for purposes of maintenance, supply identification, stock listing and other related uses. All patent rights hereto are expressly reserved by  
 Harper Engineering Co.

**UNLESS OTHERWISE SPECIFIED**  
 ALL DIM ARE REFERENCE  
 DIMENSIONS ARE IN INCHES ± .010  
 ANGULAR DIMENSIONS ARE IN DEGREES ± 1°  
 BREAK ALL CORNERS  
 INTERNAL & EXTERNAL RADII .030 MAX  
 MAXIMUM DRAFT 2°  
 Code Ident No. 34941

**Harper Engineering Co.**  
 200 S. Tobin St. Renton, Washington 98055  
 TITLE H3-1374 BRACKET ASSY - OXYGEN BOTTLE