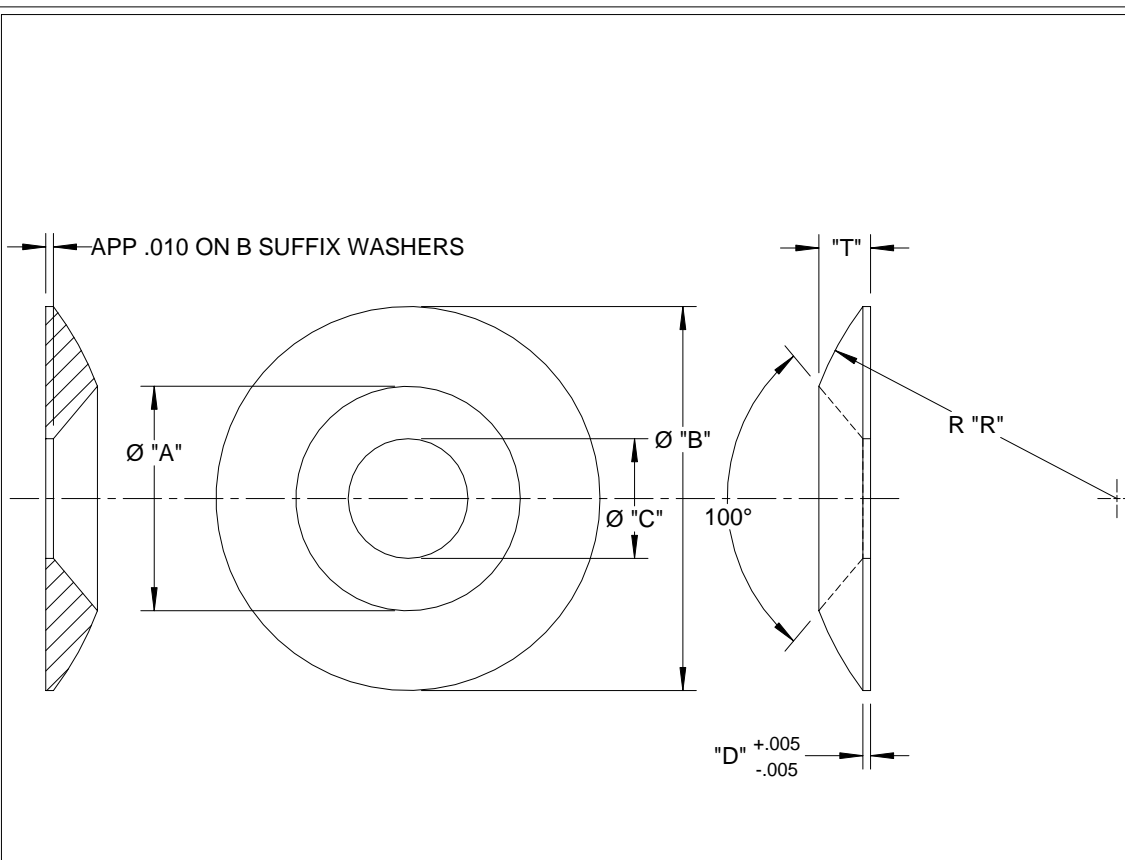


**INNOVATIVE CUSTOM DESIGNED HARDWARE IS OUR SPECIALTY**

REV. 7/07

PART NO.	THD.	A	B	C	T	R	D
H3-1233(X)04	4-40	.224	.354	.125	.060	.228	.010
H3-1233(X)06	6-32	.276	.436	.170	.060	.318	.010
H3-1233(X)08	8-32	.328	.518	.203	.060	.426	.010
H3-1233(X)3	10-32	.380	.600	.259	.060	.551	.010
H3-1233U(X)3	10-32	.380	.500	.259	.060	.551	.034
H3-1233(X)4	1/4-28	.500	.790	.307	.090	.643	.010
H3-1233(X)5R	—	.288	.500	.173	.060	.585	.010
H3-1233(X)6R	—	.312	.600	.187	.060	.675	.010
H3-1233(X)04B	4-40	.224	.387	.125	.060	.309	.010
H3-1233(X)06B	6-32	.276	.477	.150	.070	.381	.010
H3-1233(X)08B	8-32	.328	.566	.175	.080	.452	.010
H3-1233(X)3B	10-32	.380	.656	.200	.090	.524	.010
H3-1233(X)4B	1/4-28	.500	.863	.260	.115	.680	.010
H3-1233(X)5B	1/4-24	.625	1.077	.322	.140	.861	.010



NOTE: (X) = Material Code

MATERIAL:  
 WASHER: (X) = A - 7075-T6 ALUM  
 (X) = C - 303 CRES

FINISH:  
 WASHER: (X) = A - ALODINE  
 (X) = C - CAD PLATE

GENERAL: 'B' SUFFIX TO FIT STANDARD 100° CSK  
 BOLT HEAD + .01 (APP.)

ALL INFORMATION ON THIS DRAWING IS PROPRIETARY TO HARPER ENGINEERING COMPANY.

All design, manufacturing, reproduction, use and sale rights regarding the same are expressly reserved except that this drawing may be reproduced by the government of the United States of America only for distribution to government activities and/or personnel for purposes of maintenance, supply identification, stock listing and other related uses. All patent rights hereto are expressly reserved by

Harper Engineering Co.

**UNLESS OTHERWISE SPECIFIED**

ALL DIM ARE REFERENCE

DIMENSIONS ARE IN INCHES ± .010  
 ANGULAR DIMENSIONS ARE IN DEGREES ± 1°  
 BREAK ALL CORNERS  
 INTERNAL & EXTERNAL RADII .030 MAX  
 MAXIMUM DRAFT 2°

Code Ident No. 34941

**Harper Engineering Co.**



200 S. Tobin St. Renton, Washington 98055

TITLE H3-1233  
 WASHER, DECORATIVE CSK